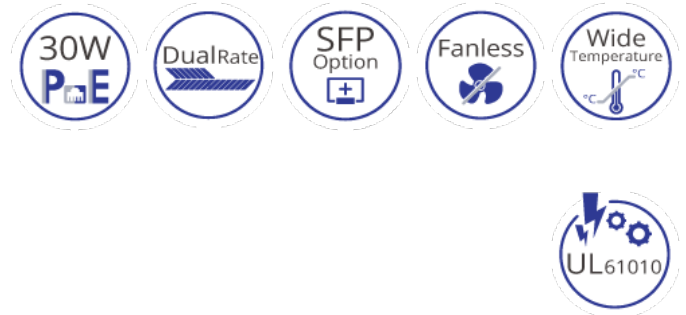


## EX41922-T

Hardened Unmanaged 2-port 10/100/1000BASE PoE+2-port 100/1000 SFP Ethernet Switch



## Overview

EtherWAN's EX41922 Series is a compact hardened unmanaged Gigabit switch, designed as an easily deployed platform for peripheral devices in harsh environments. It is a cost-effective option for surveillance systems in extreme climates.

The new EX41922-T is equipped with two 10/100/1000Base RJ-45 copper ports supporting Power over Ethernet (PoE), and two 100/1000Base SFP fiber optic slots for long distance connectivity. The two uplink SFP interfaces provide 100 or 1000SFP speed, selected by DIP switch. They can be used in a daisy chain formation, and are compatible with the proprietary Alpha-chain redundancy protocol when used with a compatible EtherWAN managed switch. Moreover, EX41922-T provides up to 30 Watts PoE per port with a total power budget of 60 Watts. Although unmanaged, the EX41922-T is feature-rich with 10K Jumbo Frame support, full wire speed Gigabit throughput, QoS support, and eco-friendly IEEE802.3az EEE (Energy Efficient Ethernet) compliance. With its hardened specifications, high performance, and energy efficiency, the EX41922-T is a flexible and reliable solution for extended networks.

EtherWAN — "When Connectivity is Crucial."

## Spotlight

### + Hardened Grade

Supports -40 to 75°C (-40 to 167°F) operating temperature

Redundant power inputs on terminal block connector

Supports DIN-Rail mounting

### + Fiber Connectivity

Up to two 1000BASE SFP ports for daisy chain or Alpha-chain applications

Provides 100BASE or 1000BASE SFP by DIP switch

### + Port Failure Alarm

Provide relay alarm to notify users when power fails or link down occurs by DIP switch

### + Full Gigabit bandwidth and Jumbo frame

Gigabit wire-speed transmission for bandwidth-demanding application

Jumbo frame up to 10K bytes to increase throughput and transmission efficiency

## Specifications

### + Technology

#### Standards

IEEE802.3 10BASE-T  
IEEE802.3u 100BASE-TX/100BASE-FX  
IEEE802.3ab 1000BASE-T  
IEEE802.3z 1000BASE-SX/1000BASE-LX  
IEEE802.1x, Full duplex flow control  
IEEE802.1az Energy Efficient Ethernet

#### Forward and Filtering Rate

14,880pps for 10Mbps  
148,810pps for 100Mbps  
1,488,100pps for 1000Mbps

#### Packet Buffer Memory

1MB

#### Processing Type

Store-and-Forward  
Auto Negotiation  
Half-duplex back-pressure and IEEE802.3x full-duplex flow control  
Auto MDI/MDIX

#### Jumbo Frame

10K bytes

#### Address Table Size

8K MAC addresses

#### Broadcast Storm Protection Threshold

Limit 15,000 packets per second.

### + Interface

#### Ethernet Ports

10/100/1000BASE-T: 2 ports  
100/1000BASE SFP: 2 ports

#### LED Indicators

Per Unit: Power1 (Green), Power2 (Green), Alarm (Red)  
Per Port: Link & Activity (Green)  
Per PoE Port: PoE (Amber)

#### DIP Switches

Enable/Disable Port fault alarm, SFP port on 100BASE.

#### Alarm Contact

One relay output with current 0.5A/48VDC  
Supports normal close and normal open

### + Environment

#### Operating Temperature

-40 to 75°C (-40 to 167°F)

#### Storage Temperature

-40 to 85°C (-40 to 185°F)

#### Ambient Relative Humidity

5% to 95% (non-condensing)

## + Power

### Input Voltage

Redundant power inputs; Terminal Block:  
52–57VDC for PoE

### Power Consumption

63.6W@52VDC, 63.8W@57VDC

PoE Power budget: 60W

### Power Technology

Alternative A

Pins 1/2(+), 3/6(-)

## + Mechanical

### Casing

Metal case

IP30

### Dimensions

42 x 90 x 100mm (W x D x H)

(1.65" x 3.54" x 3.93")

### Weight

0.37Kg (0.82lb)

### Installation

DIN-Rail

## + Regulatory Approvals

### ISO

Manufactured in an ISO 9001 facility

### Safety

UL 61010

### EMI

FCC Part 15B Class A

VCCI Class A

EN 61000-6-4

### EMS

EN 61000-6-2

- EN 61000-4-2 (ESD Standards)
- EN 61000-4-3 (Radiated FRI Standards)
- EN 61000-4-4 (Burst Standards)
- EN 61000-4-5 (Surge Standards)
- EN 61000-4-6 (Induced RFI Standards)
- EN 61000-4-8 (Magnetic Field Standards)

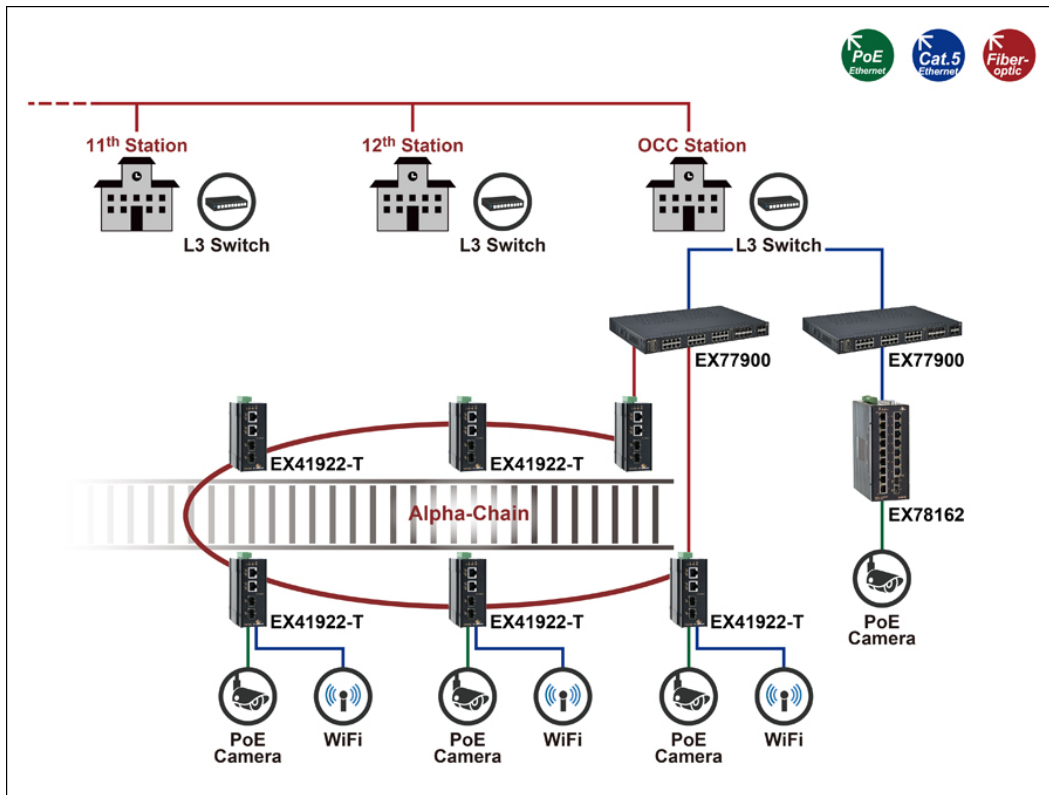
### Environmental Test Compliances

IEC 60068-2-6 Fc (Vibration)

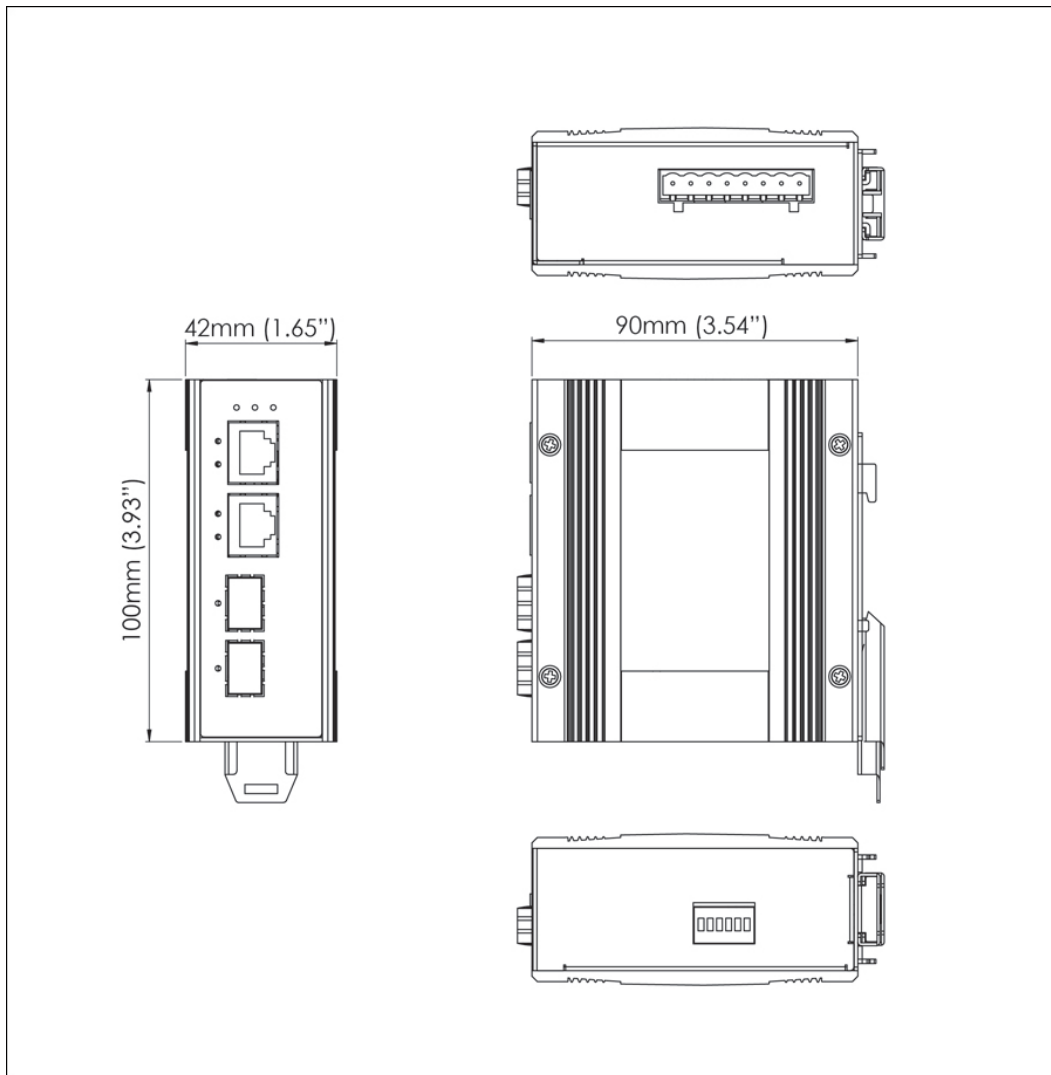
IEC 60068-2-27 Ea (Shock)

FED STD 101C Method 5007.1 (Free fall w/ package)

# Application



## Dimensions



## Ordering Info

### + Model

<b>EX41922-T</b>	2-port 10/100/1000Base-T PoE+2-port 100/1000 SFP Hardened Unmanaged Ethernet Switch
------------------	---

\* DIN-Rail mounting kit included

