

EasyRestore

Fiber Shear for Traffic Cabinets



Overview

EtherWAN's EasyRestore for Fiber is a cabinet termination device for traffic cabinets and roadside nodes. EasyRestore allows fiber optic cabling to be control sheared at the base of the cabinet, preventing stress on the cable in the ground and at the electrical device connection.

EtherWAN — "When Connectivity is Crucial."

Highlights

+ Time/Cost Saving Features

- Infrastructure fiber cabling remains intact after an accident knocks down a cabinet
- Enables device restoration within minutes of equipment reset
- Eliminates patch cords and additional failure points, reducing maintenance costs

+ Outdoor Rated Design

- Maintains material integrity at a wide operating temperature range from -40 to 180°F
- IP66 weather resistance
- Outdoor rated cabling

+ Support

- Complimentary technical support
- Free firmware upgrades and notifications
- Limited lifetime warranty

Specifications

+ Physical

Casing Material

Delrin

IP Rating

IP66

Dimensions

10.5" x 5" x 1.2" (W x D x H)

Weight

2lbs (0.91kg)

Module Coupling Retainer Screws

#8 Zinc Plated Machine Screws

Cabinet Channel Mounting Screws

1/4-20 threaded Electro-galvanized steel, Unistrut model P6013-1420, with 1/2" extended 1/4-20 machine screws

Pad Mount

Steel Read Head Drop-in Anchors

Fiber

G.652.D glass, in tight buffered I/O jacketed configuration

Fan Out

4.5ft I/O fan-out to 36in long 3.0mm fiber, Total 7.5ft of interconnect cable inside cabinet

Fan Out Cable

Outdoor hazardous duty cable tight buffered, 1.5M-BIF, 3.0mm, yellow polyurethane jacket

Configuration

Device with drop cable and 3.0mm outdoor-rated interface cable

Number of Connectors

12 total

Connector Type

LC

Mounting

Concrete pedestal mount or cabinet wall mount

+ Environmental

Operating Temp.

-40 to 180°F (-40 to 75°C)

Storage Temp.

-40 to 185°F (-40 to 85°C)

Relative Humidity

5% to 95% (non-condensing)

+ Warranty

Length

Limited Lifetime

Details

www.etherwan.com/support/warranty-policy

+ What's Included

Device

Injector

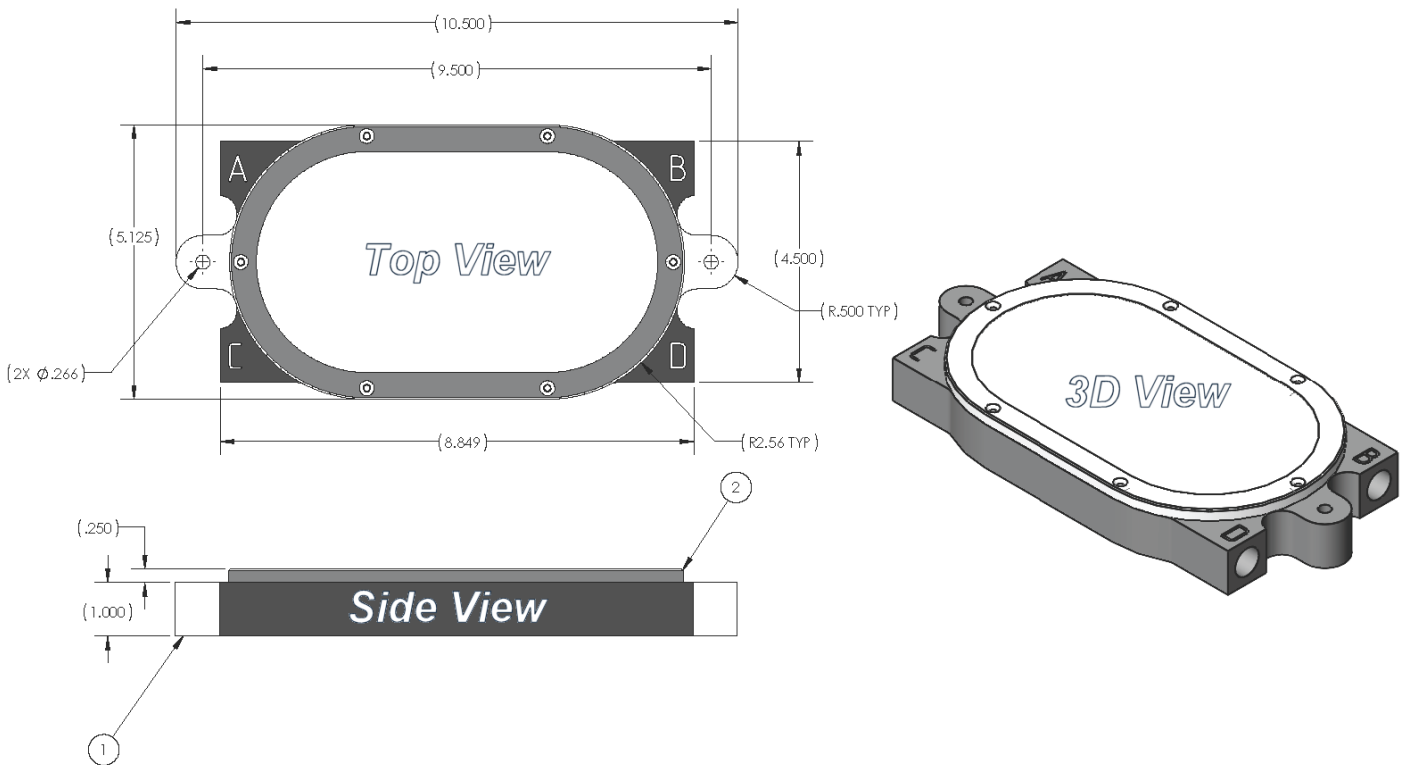
Installation

Mounting brackets, screws, 4-pin terminal block

Documentation

Quick install guide

Dimensions



Ordering Info

+ Model

EASYRESTORE	Controlled Fiber Shear Device, 12 LC Connectors for Termination, Full Kit, Armored Fiber Cable
EASYRESTORE-REP	Controlled Fiber Shear Device, 12 LC Connectors for Termination, Replacement Unit

+ Model

EASYRESTORE-DC100	Optional 100-ft Armored Drop Cable for Infrastructure
EASYRESTORE-DC200	Optional 200-ft Armored Drop Cable for Infrastructure
EASYRESTORE-DC300	Optional 300-ft Armored Drop Cable for Infrastructure
EASYRESTORE-DC400	Optional 400-ft Armored Drop Cable for Infrastructure
EASYRESTORE-DC500	Optional 500-ft Armored Drop Cable for Infrastructure



© EtherWAN Systems, Inc. All rights reserved. 20241105

EtherWAN is constantly developing and improving products. Specifications are subject to change without notice and without incurring any obligation.