

## EL1142 系列

IEC 61850/IEEE 1613 強固級 2埠10/100BASE-TX +2埠100BASE-FX 光電轉換器



### 產品介紹

EL1142系列具備2組獨立10/100BASE-T網路埠和2個100BASE-SX-LX光纖埠，有效整合不同介面傳輸，支援2個獨立光電轉換器路徑，在空間有限的應用環境中更具安裝彈性。

EL1142 符合IEC 61850-3/IEEE 1613相容認證，抗電磁干擾設計，適用於變電站、電力整合等應用市場，支援Link-Fault-Pass-Through (LFPT)自動斷開故障連結，避免封包持續傳送，快速偵測到網路連線的錯誤。

EtherWAN — "When Connectivity is Crucial."

### 產品亮點

#### + 高密度埠距

在精巧機體中提供兩個獨立的光電轉換器路徑

#### + 符合EN 50121-4認證

專為軌道環境應用設計及測試

#### + 符合IEC 61850-3/IEEE 1613認證

符合變電站自動化所需之應用標準

#### + 支援Link-Fault-Pass-Through (LFPT)

針對光電轉換器連線狀態提供持續的監控  
當連線的其中一端中斷，另一端仍然繼續傳輸封包，  
然後等待已經斷線的那一端重新連線啟動

## 產品規格

### + Technology

#### Standards

IEEE 802.3 10BASE-T  
IEEE 802.3u 100BASE-TX  
IEEE 802.3ab 1000BASE-T

#### Forward and Filtering Rate

14,880pps for 10Mbps  
148,810pps for 100Mbps

#### Packet Buffer Memory

128K bits

#### Processing Type

Store-and-forward  
Auto Negotiation  
Half-Duplex back-pressure and IEEE 802.3x Full-Duplex flow control  
Auto MDI/MDIX

### + Interface

#### Ethernet Ports

10/100BASE-TX: 2 ports  
100BASE-FX: 2 ports

#### LED Indicators

Per Unit: Power1, Power2, Alarm  
Per 10/100BASE-TX port: Link/Activity, 100, Full-Duplex/Collision, LFPT  
Per 100BASE-FX port: Link/Activity, Full-Duplex/Collision

#### Relay Contact

Dry contact with current 0.6A/30VDC

## + Power

**Input**  
12-48VDC

**Power Consumption**  
4.5W Max  
0.37A@12VDC  
0.17A@24VDC  
0.09A@48VDC

**Protection**  
Overload Current Protection  
Reverse Polarity Protection

## + Mechanical

**Casing**  
Aluminum Case  
IP30

**Dimensions**  
50 x 110 x 135mm (W x D x H)  
(1.97" x 4.33" x 5.31")

**Weight**  
1.2kg (2.64lbs.)

**Installation**  
DIN-Rail (top hat type 35mm) or panel mounting

## + Environment

**Operating Temperature**  
-40 to 75°C (-40 to 167°F)

**Storage Temperature**  
-40 to 85°C (-40 to 185°F)

**Ambient Relative Humidity**  
5% to 95% (non-condensing)

## + Regulatory Approvals

**ISO**  
Manufactured in an ISO 9001 facility

**Safety**  
UL 61010

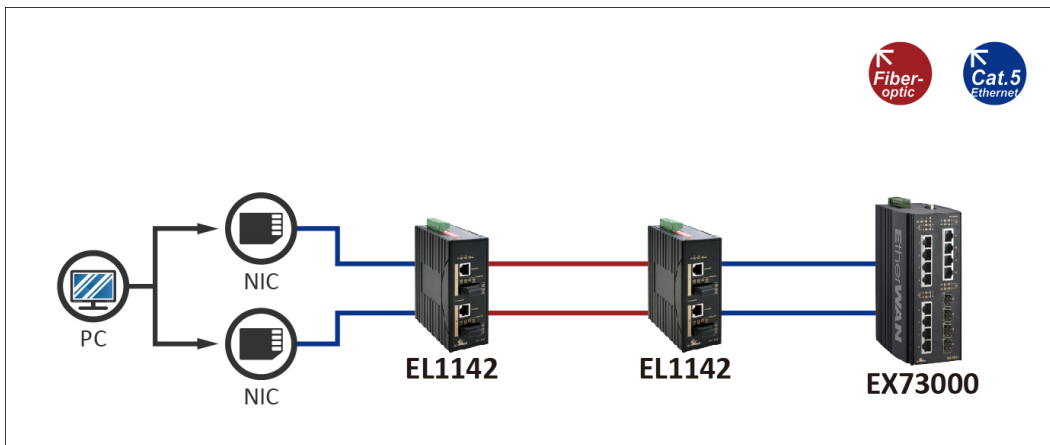
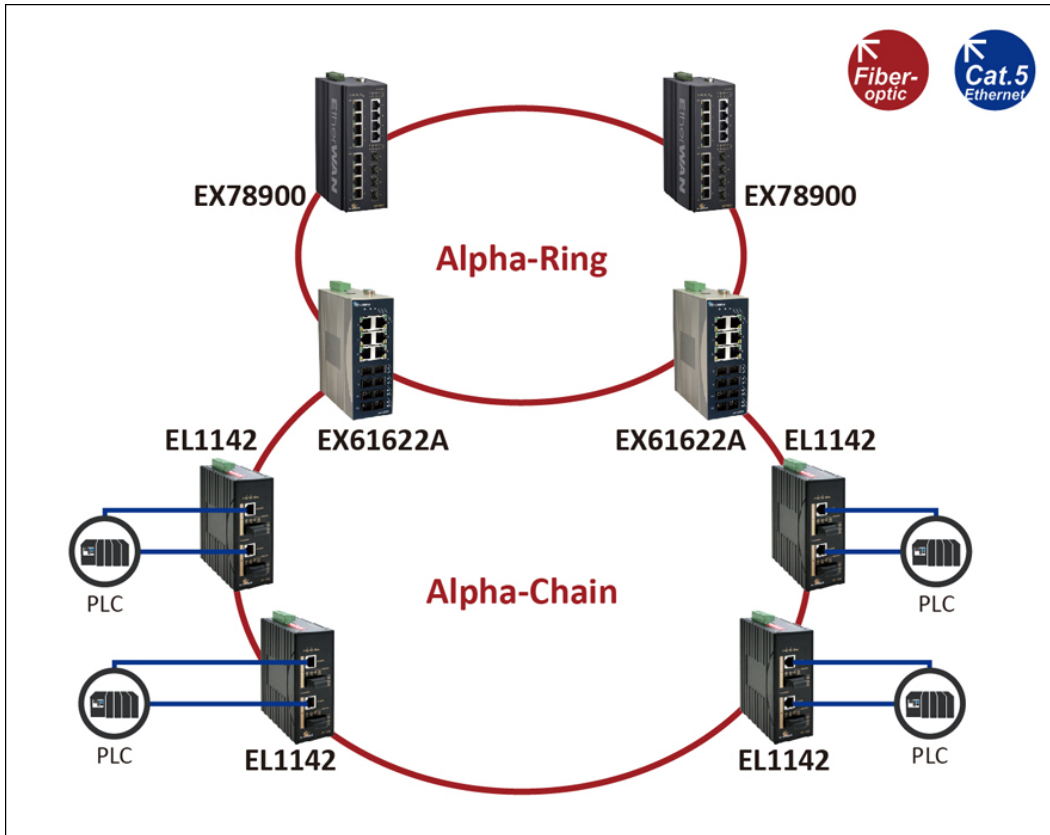
**EMC**  
FCC Part 15B Class A  
VCCI Class A  
EN 61000-6-4  
EN 61000-6-2 Class A  
EN 55032 Class A

**EMS**  
EN 61000-6-2  
• EN 61000-4-2 (ESD Standards)  
• EN 61000-4-3 (Radiated FRI Standards)  
• EN 61000-4-4 (Burst Standards)  
• EN 61000-4-5 (Surge Standards)  
• EN 61000-4-6 (Induced RFI Standards)  
• EN 61000-4-8 (Magnetic Field Standards)

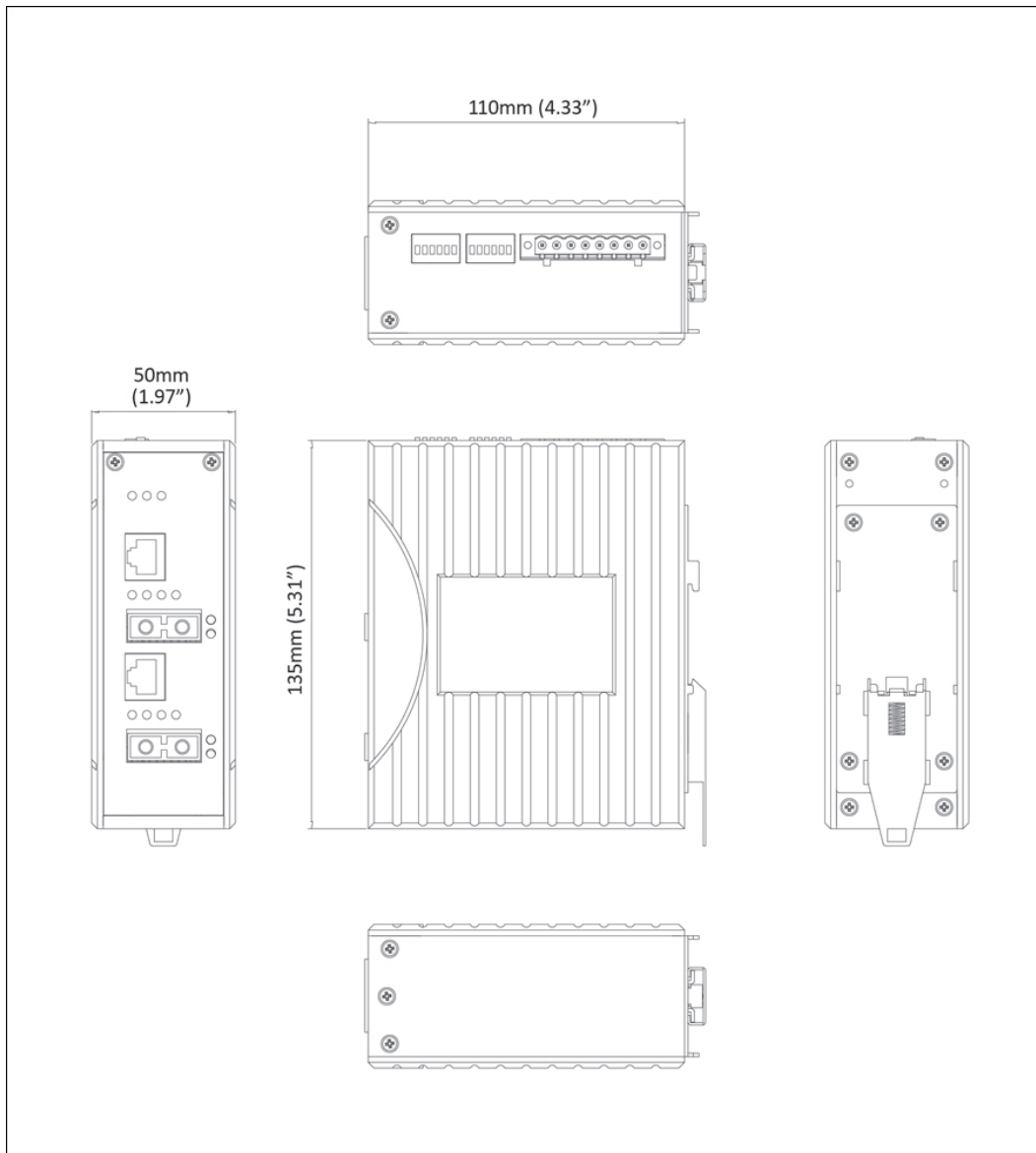
**Environmental Test Compliances**  
IEC 60068-2-6 Fc (Vibration)  
IEC 60068-2-27 Ea (Shock)  
FED STD 101C Method 5007.1 (Free fall w/ package)

**Industrial Compliance**  
IEC 61850-3/IEEE 1613  
EN 50121-4

# 產品應用圖



# 產品尺寸圖



## 訂購型號

### + 型號

<b>EL1142-X0B</b>	2-Port 10/100BASE-TX +2-Port 100BASE-FX IEC 61850-3/IEEE 1613 Hardened Media Converter
-------------------	--

\* DIN-Rail mounting kit included.

### + 100BASE-X Fiber Options (X)

<b>1</b>	Multi Mode (SC) - 2Km (1310nm)
<b>2</b>	Multi Mode (ST) - 2Km (1310nm)
<b>A</b>	Single Mode (SC) - 20Km (1310nm)
<b>B</b>	Single Mode (SC) - 40Km (1310nm)
<b>H</b>	Single Mode (ST) - 20Km (1310nm)

### + Optional Accessories

<b>KP-AA96-480</b>	KP-AA96-480 Panel mounting kit
<b>HDR-30-24</b>	30W/1.5A DIN-Rail 24VDC Industrial Power Supply
<b>HDR-60-24</b>	60W/2.5A DIN-Rail 24VDC Industrial Power Supply
<b>EDR-75-24</b>	75W/3.2A DIN-Rail 24VDC Industrial Power Supply
<b>EDR-120-24</b>	120W/5A DIN-Rail 24VDC Industrial Power Supply
<b>EX41-145046-X</b>	Power Supply 45W 12VDC with Open Wire (X) = 1: US, 2: EU, 3: UK, 4: AU, 5: JP, 6: SA

