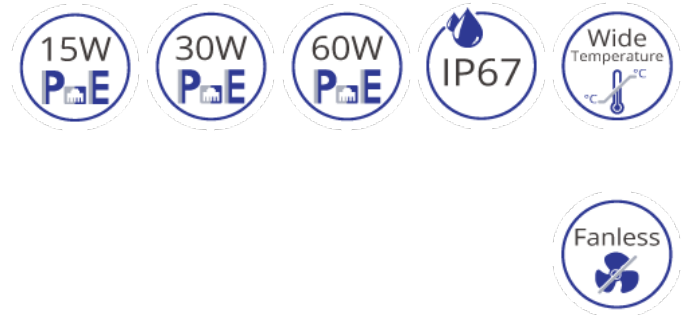
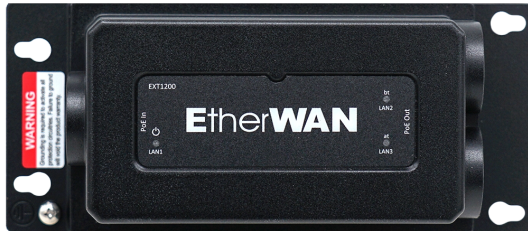


EXT1200

Hardened Gigabit IP67 PoE Extender



Overview

EtherWAN's EXT1200 is a compact hardened IP67-rated PoE Extender. Requiring no external DC power, the EXT1200 provides a simple and cost-effective method of extending a PoE connection beyond the standard 100 meter limit for copper Ethernet cabling while maintaining the data speeds.

EtherWAN — "When Connectivity is Crucial."

Highlights

+ PoE (Power over Ethernet)

- Provides PoE extension functionality for ethernet applications that require distances longer than 100m (328ft)
- Up to 60W output for various security applications such as PTZ cameras
- Can be daisy-chained up to 4 units

+ Hardened-Grade for Non-Ventilated & Harsh Environments

- Wide operating temperature range -40 to 75°C (-40 to 167°F)
- IP67 water resistance and fanless operation
- High impact, thermal shock, and electrical noise resistance

+ Support

- Complimentary technical support
- In-person training and free online training courses available
- Limited lifetime warranty

Specifications

+ Interface

Ethernet

3x10/100/1000BASE-T(X) RJ45 (1 PD, 2 PSE)

LED Indicators

PoE In: PoE (Amber), TX Port (Green), TX Transmission (Green flash)

PoE Out: PoE (Amber), TX Port (Green), TX Transmission (Green flash)

+ Technology

Standards

IEEE 802.3 10BASE-T

IEEE 802.3u 100BASE-TX

IEEE 802.3ab 1000BASE-T

IEEE 802.3x full duplex and flow control

IEEE 802.3af PoE

IEEE 802.3at PoE+

IEEE 802.3bt PoE++

Forward Filtering Rate

14,800pps for 10Mbps

148,810pps for 100Mbps

1,488,100pps for 1000Mbps

Processing Type

Store-and-forward

Auto-negotiation

Half-duplex back-pressure and full-duplex flow control

Auto MDI/MDIX

+ Switch Properties and Performance

Switching Fabric

6Gbps

Jumbo Frame Size

9KB

MAC Table Size

2K

Packet Buffer Memory

1Mb

+ Power

PoE Power Input

PoE Power Input 90W Max

PoE Power Output

Total PoE Output 60W Max

+ Environment

Operating Temperature

-40 to 75°C (-40 to 167°F)

Storage Temperature

-40 to 85°C (-40 to 185°F)

Ambient Relative Humidity

5% to 95% (non-condensing)

MTBF

>522,000 hours @ 50°C

+ Regulatory

ISO

Manufactured in an ISO 9001 facility

Safety

UL 62368-1

EMI

FCC Part 15B Class A

EMS

EN61000-4-2 (ESD Standards)

EN61000-4-4 (Burst Standards)

EN61000-4-5 (Surge Standards)

Environmental Test Compliance

EN 60068-2-6 (Vibration)

>>EN 60068-2-27 (Shock)

EN 60068-2-32 (Free fall w/package)

+ Physical

Casing Material

Aluminum

IP Rating

IP67

Dimensions

6.56" x 2.89" x 1.74" (W x D x H)

166.5 x 73.45 x 44.3mm

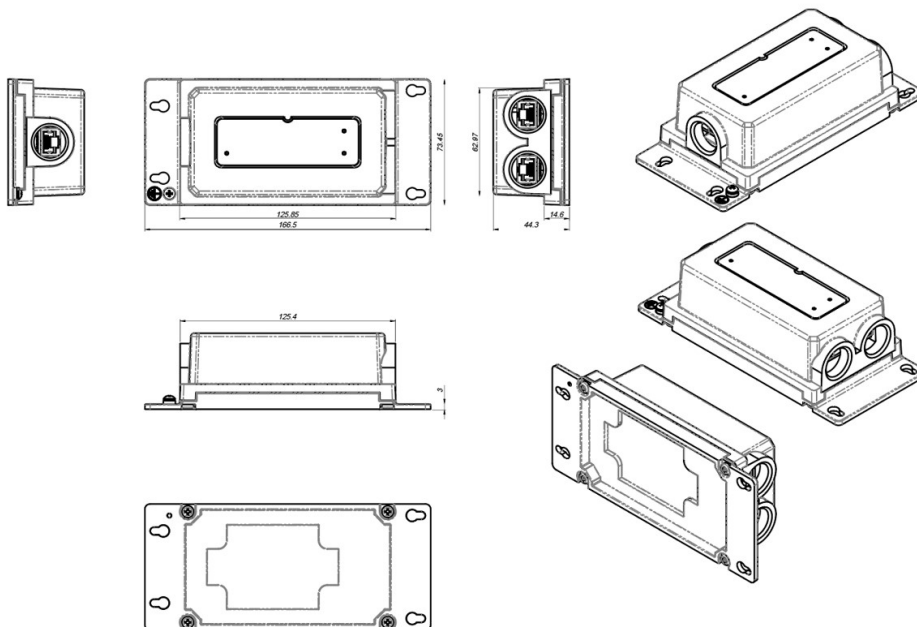
Weight

1.0lbs (0.45kg)

Installation

Wall/Panel mounting

Dimensions



Ordering Info

+ Model

EXT1200	Hardened Gigabit IP67 PoE Extender
---------	------------------------------------

