

# EMC1200R 系列

12 插槽光電轉換器收容機箱



## 產品介紹

EMC1200R 是一款 12 槽的機箱系統，專門設計用於在 19 吋機架中，可相容益網科技品牌光電轉換器和網路延伸器，並為這些設備穩定供電。

益網科技光電轉換器和乙太網路延伸器系列的彈性選擇提供了多元的系統組合。每個插槽都有獨立的電源隔離，並帶有保險絲過流保護，因此能安全穩固的運作。內部的備用電源能提供電源備援以及負載共享。支援交流電源輸入，使 EMC1200R 能夠通用。EMC1200R 憑藉其堅固的金屬外殼、標準 19 吋機架安裝和相容機箱的高度設計，非常適合串聯不同的網路介質並將乙太網路擴展到其原有運作範圍之外。

EtherWAN — "When Connectivity is Crucial."

## 產品亮點

### + 12 插槽機架式安裝

可同時支援 12 台設備供電於機架式機箱內

### + 支援益網科技的乙太網路延伸器和光電轉換器

支援的光電轉換器型號包括 EL2321、EL2211、EL2315、EM120 和 EL100/EL200 系列

## 產品規格

### + Power

**Input**

100-240VAC, 50-60Hz Internal Universal PSU

**Power Consumption**

9.4Watts, system w/o media converters, but with redundant PSUs.

For total EMC1200R power consumption, please calculate with the selected media converters' datasheets.

### + Mechanical

**Casing**

Metal Case

**Dimensions**

440 x 243 x 45mm (W x D x H)  
(17.32" x 9.57" x 1.77")

**Weight**

3.1Kg (6.82lbs)

**Installation**

Rack mounting

### + Environment

**Operating Temperature**

0 to 45°C (32 to 113°F)

**Storage Temperature**

-20 to 70°C (-4 to 158°F)

**Ambient Relative Humidity**

5% to 95% (non-condensing)

### + Regulatory Approvals

**ISO**

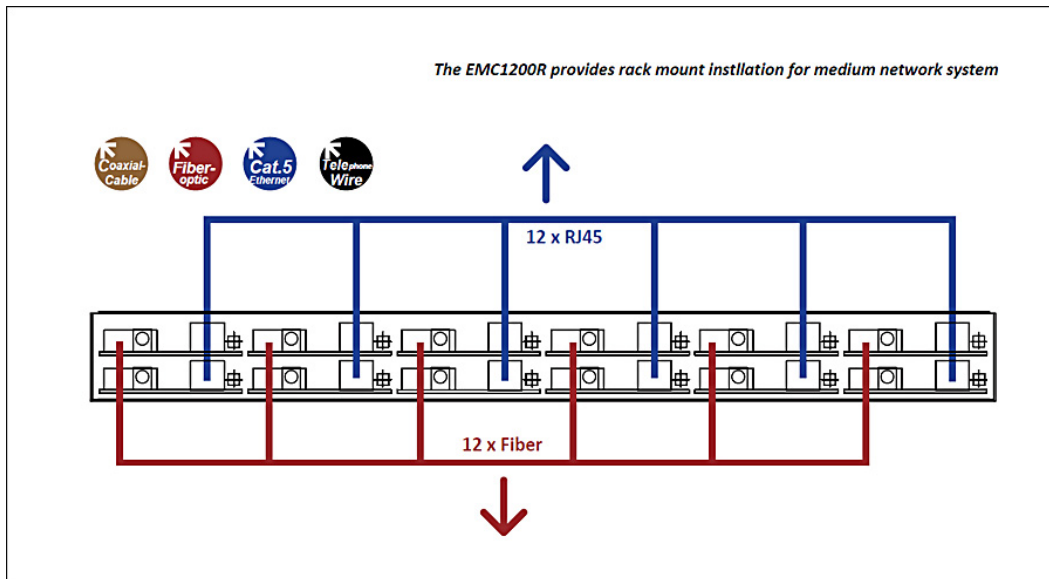
Manufactured in an ISO 9001 facility

**Emission Compliance**

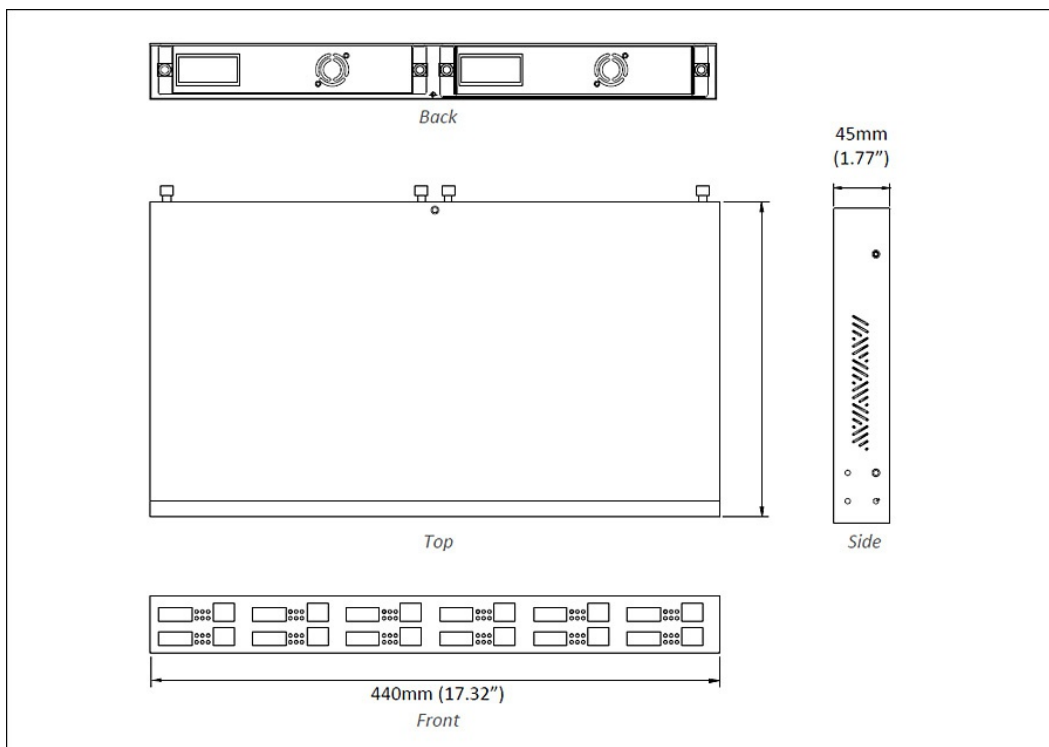
FCC Part 15B Class A

CE Mark Class A

## 產品應用圖



## 產品尺寸圖



## 訂購型號

### + Model

EMC1200RC	12-Bay EL100C Media Converter System
EMC1200RT	12-Bay EL100T Media Converter System
EMC1220RCC-15	12-Bay EM120MCC-15 Media Converter System

#### Notes:

- \* ST fiber also available in Single Mode, 20Km
- \* SC fiber also available in Single Mode, 20/40/60/100/120Km
- \* SC fiber also available in WDM Type A and Type B, Single Mode 20/40Km, and Multi Mode 2/5Km
- \* More SFP options are available upon request. Please visit [Etherwan.com](http://Etherwan.com) for the latest SFP module datasheet.

### + Model

EMC1200RGS	12-Bay Gigabit SFP Media Converter System
EMC1230RTSC	12-Bay EL2211-31 Media Converter System
EMC1230RTL-10	12-Bay EL2211-A1 Media Converter System
EMC1230RTL-20	12-Bay EL2211-B1 Media Converter System

#### Notes:

- \* SC fiber also available in WDM Type A and Type B, Single Mode 10/20Km, and Multi Mode 2/5Km
- \* More SFP options are available upon request. Please visit [Etherwan.com](http://Etherwan.com) for the latest SFP modules datasheet.

