

EX41941

Hardened Unmanaged 4-Port Gigabit PoE & 1-Port Gigabit RJ45 Ethernet Switch



Overview

EtherWAN's EX41941 is a compact hardened unmanaged PoE switch which can be wall or DIN-rail mounted. 4 gigabit PoE ports provide up to 30W output per port with a PoE power budget of 120W, ensuring that the maximum possible power is delivered to every device at all times. 1 RJ45 uplink port provides flexibility for data transmission and cascading. The EX41941 provides the power required to support various security and other network applications, along with flexibility, speed, and reliability to support networks.

EtherWAN — "When Connectivity is Crucial."

Highlights

+ High-Power PoE (Power over Ethernet)

- Up to 30W output per port for various security, LED lighting, and other applications
- Total PoE power budget of 120W
- Backward compatible with 802.3af devices

+ Hardened-Grade for Non-Ventilated & Harsh Environments

- Wide operating temperature range -40 to 75°C (-40 to 167°F)
- Fanless operation
- High impact, thermal shock, and electrical noise resistance

+ Support

- Complimentary Technical Support
- In-person training and free online training courses available
- Limited Lifetime Warranty

Specifications

+ Interface

Ethernet

5 x 10/100/1000BASE-T(X)

LED Indicators

Per Unit: Power 1, Power 2

Per Port: Link/Activity

+ Technology

Standards

IEEE 802.3 10BASE-T

IEEE 802.3u 100BASE-TX/100BASE-FX

IEEE 802.3ab 1000BASE-T

IEEE 802.3z 1000BASE-X

IEEE 802.3x full duplex and flow control

IEEE 802.3af PoE

IEEE 802.3at PoE+

Forward/Filtering Rate

14,800pps for 10Mbps

148,810pps for 100Mbps

1,488,100pps for 1000Mbps

Processing Type

Store-and-forward

Auto-negotiation

Half-duplex back-pressure and full-duplex flow control

control

Auto MDI/MDIX

+ Switch Properties and Performance

Switching Fabric

10Gbps

Jumbo Frame Size

9KB

MAC Table Size

2K

Packet Buffer Memory

1Mb

+ Power

Input

48-56VDC Redundant (Terminal block)+ 48-56VDC Power DIN Connector

Power Consumption

2.24W max @ 48VDC, without PoE

PoE Power Output

Per Port: Up to 30W/port

Power Budget: 120W

Protection

Reverse Polarity Protection

Current Overload Protection

+ Physical

Casing Material

Aluminum

IP Rating

IP30

Dimensions

1.26" x 3.21" x 4.07" (W x D x H)

32 x 81.5 x 103.5mm

Weight

1.0lbs (0.45kg)

Installation Type

DIN-rail or wall/panel mounting

+ Environmental

Operating Temp.

-40 to 167°F (-40 to 75°C)

Storage Temp.

-49 to 185°F (-40 to 85°C)

Relative Humidity

5% to 95% (non-condensing)

MTBF

>500,000 hours@50°C

+ Regulatory

ISO

Manufactured in ISO-9001 facility

EMI

FCC Part 15B Class A

EN 55032

EN 55024

EMS

EN 61000-4-2 (ESD)

EN 61000-4-4 (Burst)

EN 61000-4-5 (Surge)

Safety

UL 60950-1

Vibration

IEC 60068-2-6

Shock

IEC 60068-2-27

Free Fall

EN 60068-2-32

+ Warranty

Length

Limited Lifetime

Details

www.etherwan.com/support/warranty-policy

+ What's Included

Device

Switch

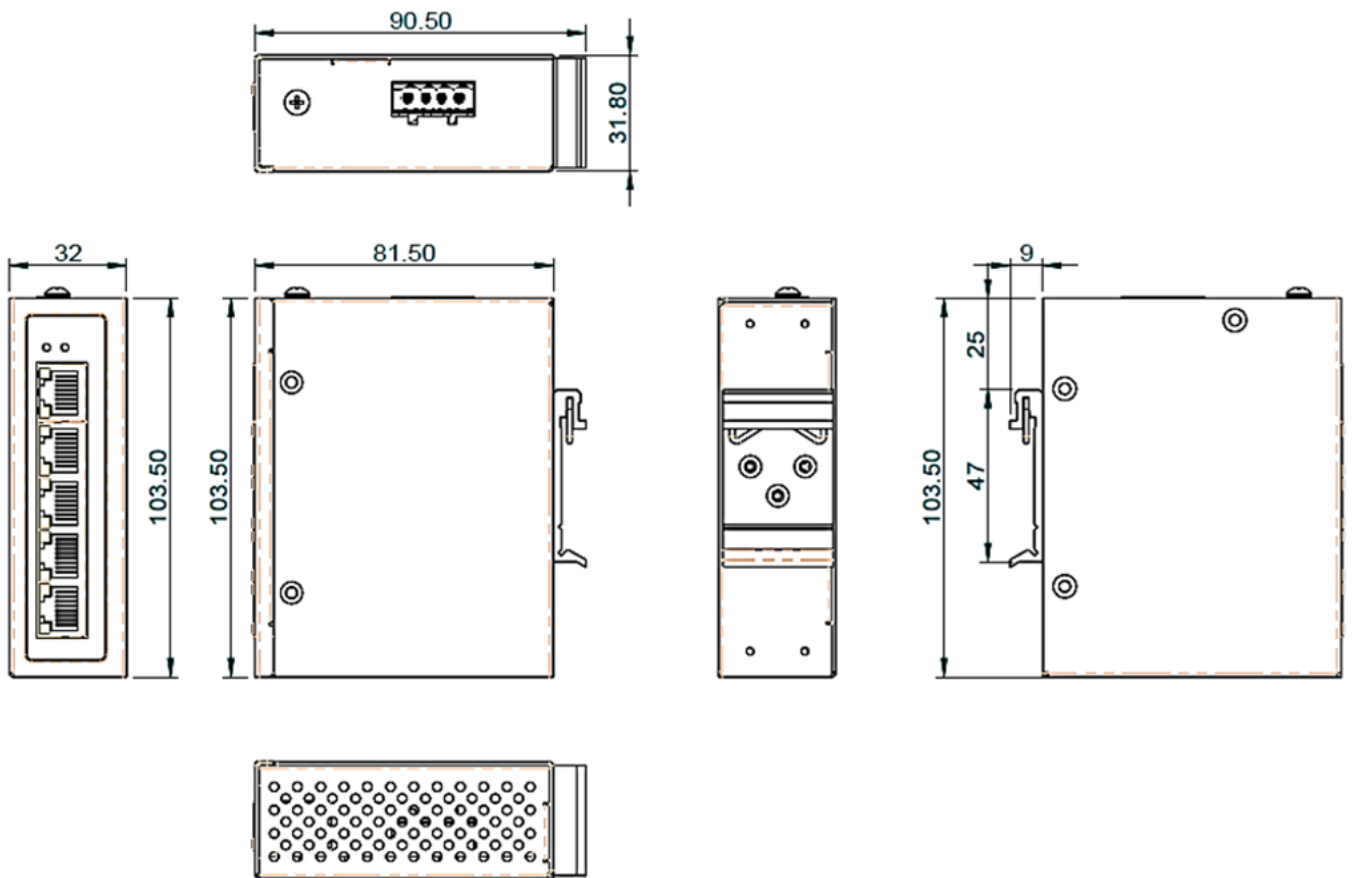
Installation

Mounting brackets, screws, 4-pin terminal block

Documentation

Quick install guide

Dimensions



Ordering Info

+ Model

EX41941 4-port 10/100/1000BASE-T PoE + 1-port Gigabit RJ45 Ethernet Switch

+ Accessories

Power Supplies www.etherwan.com/products/power-supplies

