

# EasyPoE® Lite Series

NEMA-Rated Indoor/Outdoor Complete Security Cabinet Solution



## Overview

EtherWAN's EasyPoE® Lite series is an integrated solution that combines a PoE switch, power supply, and a surge suppressor, all in a single, secure, NEMA 4X rated cabinet enclosure. Equipped with either 4 or 8 gigabit PoE ports that provide a full 30W max PoE output per port (with a power budget of 120W for 4-ports and 240W for 8-ports), the EasyPoE Lite series provides the power, time-saving design, and convenience to support a wide variety of applications including surveillance and other networking applications.

EtherWAN — "When Connectivity is Crucial."

## Highlights

### + NEMA-Rated Indoor/Outdoor Design for Non-Ventilated & Harsh Environments

- Wide operating temperature -40 to 75°C (-40 to 167°F)
- Fanless, integrated design
- Weather-resistant, anti-corrosion, and vandal-resistant design

### + Time/Cost Saving Features

- Integrated components ready out of the box
- Wall and pole mountable (pole mounting kit option available)
- Preinstalled bulkheads for cable connections

### + Replaceable Hardened Components

- The integrated PoE switch comes with 4 or 8-port options at full 30W PoE per port
- Outdoor-rated, IP67 power supply
- Optional surge suppressor

## Specifications

### + Interface

#### Ethernet Port

10/100/1000BASE-T PoE: 5 or 8 ports  
1000BASE SFP: 2 ports (Only for the 8-port switch)

#### LED Indicators

Per Unit: Power 1, Power 2, Power 3, Relay  
Per Port: Link/Activity, PoE

#### Alarm Contact

1x Relay Output

### + Technology

#### Standards

IEEE 802.3 10BASE-T  
IEEE 802.3u 100BASE-TX/100BASE-FX  
IEEE 802.3ab 1000BASE-T  
IEEE 802.3x full duplex and flow control  
IEEE 802.3af/at/bt Power over Ethernet

#### Forward/Filtering Rate

14,880pps for 10Mbps  
148,880pps for 100Mbps  
1,488,000pps for 1000Mbps

#### Processing Type

Store-and-Forward  
Auto-Negotiation  
Half-duplex back-pressure full-duplex flow control  
Auto MDI/MDIX

#### Address Table Size

4-Port Switch: 2K  
8-Port Switch: 11K

### + Physical

#### Casing Material

Polycarbonate (PC)

#### IP Rating

IP67

#### NEMA Rating

NEMA 4/4X

#### Impact Protection

IK10

#### Dimensions

11.75" x 5.22" x 13.81"(W x D x H)  
298mm x 127 x 351mm (W x D x H)

#### Weight

8.9lbs (4.3Kg)

#### Installation Type

Wall or Pole Mounting

### + Power

#### Input

100-277VAC

#### PoE Power Budget

4-Port Switch: 120W @ 75°C  
8-Port Switch: 240W @ 75°C

## + Environmental

### Operating Temp.

-40 to 75°C (-40 to 167°F)

### Storage Temp.

-40 to 85°C (-40 to 185°F)

### Relative Humidity

10% to 95% (non-condensing)

### MTBF

450,000 hours

## + Warranty

### Length

Limited Lifetime

### Details

[www.etherwan.com/support/warranty-policy](http://www.etherwan.com/support/warranty-policy)

## + What's Included

### Device

EasyPoE® Lite

### Installation

Wall Mounting Adapter

### Documentation

Quick install guide

## + Regulatory

### ISO

Manufactured in ISO-9001 facility

### EMI

FCC Part 15B Class A

EN 55.32/35

### EMS

EN 61000-4-2 (ESD)

EN 61000-4-4 (Burst)

EN 61000-4-5 (Surge)

### Safety

UL 60950-1

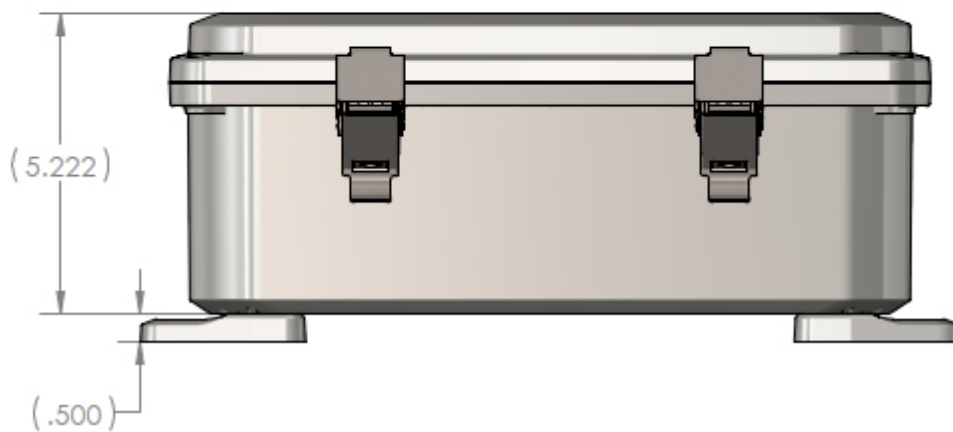
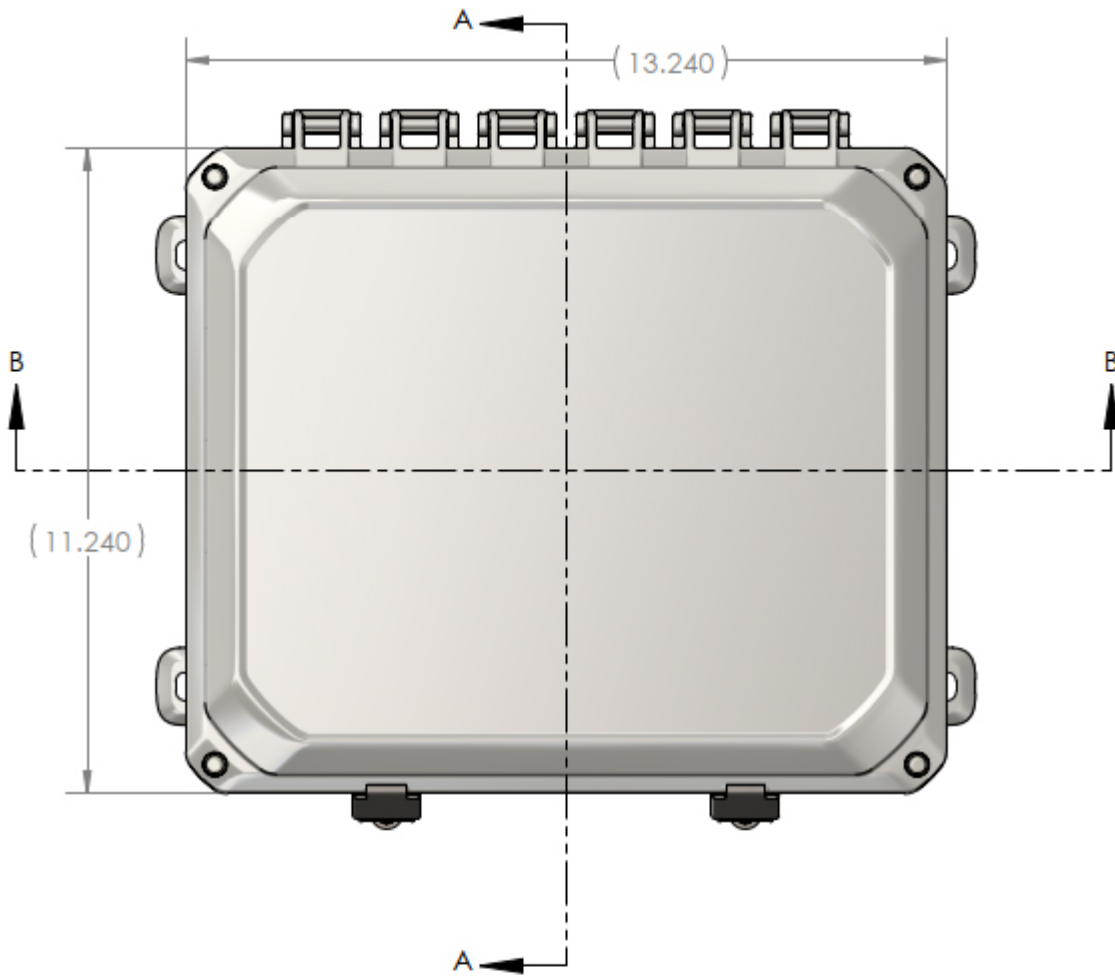
### Vibration

IEC 60068-2-6

### Shock

IEC 60068-2-27

## Dimensions



## Ordering Info

### + Model

<b>EASYPOE4B</b>	4-Port 10/100/1000BASE-T PoE + 1-Port 10/100/1000BASE-T RJ45
<b>EASYPOE4P</b>	4-Port 10/100/1000BASE-T PoE + 1-Port 10/100/1000BASE-T RJ45 + Surge Suppressor
<b>EASYPOE8B</b>	8-Port 10/100/1000BASE-T PoE + 2-Port 1000BASE SFP
<b>EASYPOE8P</b>	8-Port 10/100/1000BASE-T PoE + 2-Port 1000BASE SFP + Surge Suppressor
<b>EASYPOE4B-PMT</b>	4-Port 10/100/1000BASE-T PoE + 1-Port 10/100/1000BASE-T RJ45 w/ Pole Mount Kit
<b>EASYPOE4P-PMT</b>	4-Port 10/100/1000BASE-T PoE + 1-Port 10/100/1000BASE-T RJ45 + Surge Suppressor w/ Pole Mount Kit
<b>EASYPOE8B-PMT</b>	8-Port 10/100/1000BASE-T PoE + 2-Port 1000BASE SFP w/ Pole Mount Kit
<b>EASYPOE8P-PMT</b>	8-Port 10/100/1000BASE-T PoE + 2-Port 1000BASE SFP + Surge Suppressor w/ Pole Mount Kit

### + Accessories

<b>EASYPOEPMT</b>	Pole Mounting Kit for EasyPoE Lite Series
<b>Hardened Gigabit SFP Modules</b>	<a href="http://www.etherwan.com/us/products/sfp-fiber-transceiver">www.etherwan.com/us/products/sfp-fiber-transceiver</a>

